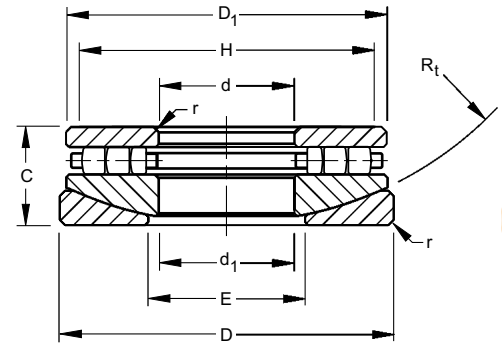


## CYLINDRICAL ROLLER THRUST BEARINGS

### TYPE TPS

- Similar to Type TP except one washer is spherically ground to seat against an aligning washer. This makes it adaptable to initial misalignment.
- Not suggested for operating conditions where alignment is constantly changing.



### DIMENSIONS – LOAD RATINGS

Bearing Number	Bore d	O.D. D	Height C	Aligning Washer radius Rt	Washers		Shoulder Diameter		Fillet <sup>(1)</sup> Radius r (Max.)	Wt.	Load Rating	
					Small Diameter O.D. D1	Large Bore I.D. d1	Shaft H (Min.)	Housing E (Max.)			Static Load Rating Coa	Dynamic Load Rating Ct
	mm in.	mm in.	mm in.	mm in.	mm in.	mm in.	mm in.	mm in.	mm in.	kg lbs.	kN lbs.	kN lbs.
20TPS103	50.800 2.0000	160.325 6.3120	46.038 1.8125	190.50 7.500	150.81 5.938	52.39 2.062	141.3 5.56	85.7 3.38	1.6 0.06	5.2 11.4	814 183000	331 74500
20TPS104	50.800 2.0000	185.725 7.3120	46.038 1.8125	241.30 9.500	176.21 6.938	52.39 2.062	163.5 6.44	108.0 4.25	1.6 0.06	7.12 15.7	1010 227000	398 89500
30TPS106	76.200 3.0000	160.325 6.3120	46.038 1.8125	152.40 6.000	150.81 5.938	77.79 3.062	142.9 5.62	101.6 4.00	1.6 0.06	4.5 9.9	747 168000	340 76500
30TPS107	76.200 3.0000	185.725 7.3120	46.038 1.8125	241.30 9.500	176.21 6.938	77.79 3.062	166.7 6.56	111.1 4.38	1.6 0.06	6.4 14.2	1040 234000	414 93200
30TPS108	76.200 3.0000	211.125 8.3120	46.038 1.8125	304.80 12.000	201.61 7.938	77.79 3.062	188.9 7.44	133.4 5.25	1.6 0.06	8.7 19.2	1380 311000	520 117000
35TPS113	88.900 3.5000	138.908 5.4688	33.338 1.3125	127.00 5.000	130.97 5.156	91.28 3.594	123.8 4.88	103.2 4.06	1.6 0.06	1.9 4.1	381 85600	180 40400
40TPS114	101.600 4.0000	187.327 7.3750	58.738 2.3125	161.93 6.375	176.21 6.938	103.98 4.094	168.3 6.62	127 5.00	1.6 0.06	7.0 15.4	1030 231000	503 113000
40TPS115	101.600 4.0000	212.725 8.3750	58.738 2.3125	215.90 8.500	201.61 7.938	103.98 4.094	190.5 7.50	133.4 5.25	1.6 0.06	10.0 22.1	1370 308000	589 132000
40TPS116	101.600 4.0000	238.125 9.3750	58.738 2.3125	254.00 10.000	227.01 8.938	103.98 4.094	214.3 8.44	149.2 5.88	1.6 0.06	13.4 29.5	1770 397000	676 152000
40TPS117	101.600 4.0000	266.7 10.5000	58.738 2.3125	355.60 14.000	252.41 9.938	103.98 4.094	238.1 9.38	165.1 6.50	1.6 0.06	17.1 37.7	2220 498000	896 202000
50TPS119	127 5.0000	215.9 8.5000	58.738 2.3125	187.33 7.375	201.61 7.938	130.18 5.125	190.5 7.50	152.4 6.00	1.6 0.06	8.4 18.5	1280 288000	592 133000
50TPS120	127 5.0000	241.3 9.5000	58.738 2.3125	266.70 10.500	227.01 8.938	130.18 5.125	215.9 8.50	155.6 6.12	1.6 0.06	11.8 26.1	1710 385000	716 161000
50TPS121	127 5.0000	266.7 10.5000	66.675 2.6250	323.85 12.750	252.41 9.938	130.18 5.125	239.7 9.44	158.8 6.25	3.2 0.12	17.6 38.7	2180 491000	841 189000
50TPS122	127 5.0000	292.1 11.5000	66.675 2.6250	406.40 16.000	277.81 10.938	130.18 5.125	261.9 10.31	177.8 7.00	3.2 0.12	22.1 48.8	2760 620000	996 224000
50TPS123	127.000 5.0000	317.5 12.5000	66.675 2.6250	501.65 19.750	303.21 11.938	130.18 5.125	288.9 11.38	184.1 7.25	3.2 0.12	27.2 60.0	3290 739000	1170 262000
60TPS124	152.400 6.0000	241.3 9.5000	66.675 2.6250	171.45 6.750	227.01 8.938	155.58 6.125	217.5 8.56	184.1 7.25	3.2 0.12	10.8 23.8	1410 317000	600 135000
60TPS125	152.400 6.0000	266.7 10.5000	66.675 2.6250	241.30 9.500	252.46 9.938	155.58 6.125	241.3 9.50	187.3 7.38	3.2 0.12	15.2 33.5	2000 449000	845 190000
60TPS126	152.400 6.0000	292.1 11.5000	66.675 2.6250	342.90 13.500	277.81 10.938	155.58 6.125	265.1 10.44	187.3 7.38	3.2 0.12	20.1 44.3	2700 607000	1000 225000
60TPS127	152.400 6.0000	317.5 12.5000	66.675 2.6250	431.80 17.000	303.21 11.938	155.58 6.125	287.3 11.31	190.5 7.50	3.2 0.12	25.2 55.6	3220 725000	1110 250000
70TPS129	177.800 7.0000	266.7 10.5000	66.675 2.6250	206.38 8.125	251.62 9.906	180.8 7.125	242.9 9.56	206.4 8.12	3.2 0.12	12.7 27.9	1620 365000	663 149000
70TPS130	177.800 7.0000	292.100 11.5000	66.675 2.6250	292.10 11.500	277.02 10.906	180.98 7.125	266.7 10.50	209.6 8.25	3.2 0.12	17.7 39.1	2400 540000	930 209000
70TPS131	177.800 7.0000	317.500 12.5000	66.675 2.6250	390.53 15.375	302.42 11.906	180.98 7.125	288.9 11.38	209.6 8.25	3.2 0.12	23.3 51.3	3090 695000	1080 242000

<sup>(1)</sup> Maximum shaft or housing fillet radius that bearing corners will clear.