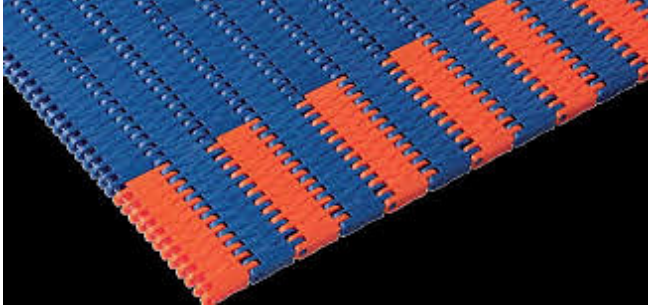




SAFARI
BELTING SYSTEMS

SF-502A-HD-D

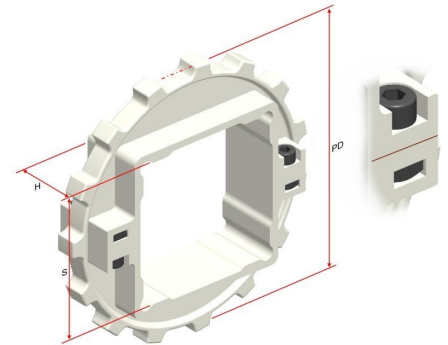
Heavy Duty, Textured Flat Top
1" Pitch



Dimension	inch	mm
Pitch	1"	25.4mm
Min Width	6.0"	150mm
Open Area	0%	0%
Rod	.17"	4.4mm
Thickness	.33"	8.4mm
Flights	No	No
Side Guards	No	No



Belt Material	Belt Strength	Temperature		Belt Weight
	Straight	Fahrenheit		
	Lb/Ft (BW)	Min	Max	Lb/ Sq Ft
Acetal	2400	-50	150	1.33
BW = Belt Width				



Polypropylene					Polyethylene					Acetal					Nylon									
W	G	N	DB	B	W	G	N	DB	B	W	G	N	DB	B	W	G	N	DB	B					

W-White, G-Gray, N-Natural, DB-Dark Brown, B-Blue

No of Teeth	PD	Bore Size
15	4.8"	1.5", 2.5"
18	5.75"	1.5", 2.5"
19	6.07"	1.5", 2.5"
24	7.66"	2.5"

Special Order Sprockets Available

Brand Comparison	Intralox	Habasit	Uni Chain	Rexnord
Series and Style	1400	2400	JCBY	1000
	900	2500	QNB	8500
		2600		7700



SAFARI Belting Systems, Inc.

900 East Loula | Olathe, Kansas 66061 USA

info@safaribelting.com | (913) 254-7582

www.safaribelting.com

Toll Free (888) 662-6611 Toll Free Fax (888) 234-3070

Competitively Priced. Customer Driven. Quality Focused.